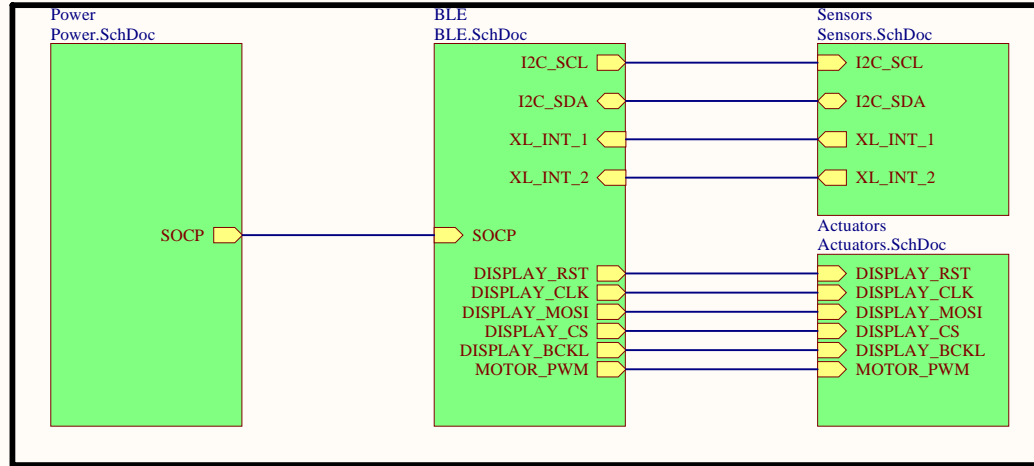


ECE 5973 Smart Watch Project

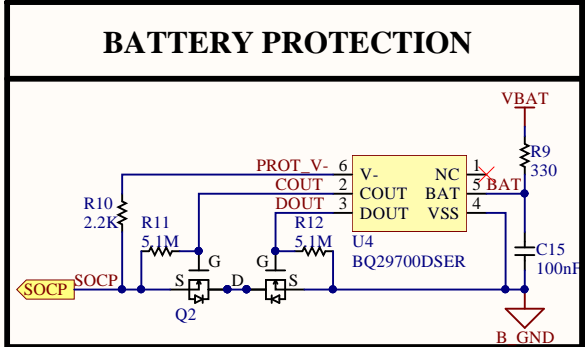
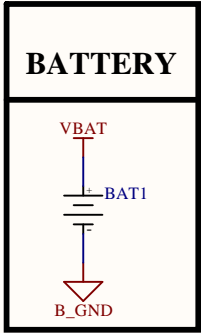
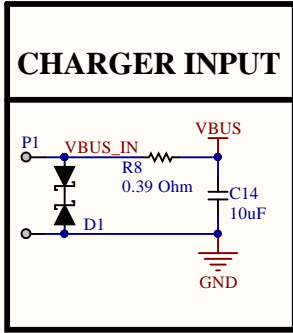


ECE 5973 Smart Watch Project Contents

Main Schematic	Page 1
Power Schematic	Page 2
BLE Schematic	Page 3
Actuators Schematic	Page 4
Sensors Schematic	Page 5

Title ECE 5973 Smart Watch Project Reference Materials from Samson March			
Size A	Number 1		Revision 1
Date:	8/1/2019	Sheet 1	of 5
File:	C:\Users\...\Main.SchDoc		Drawn By: Sarah Brown

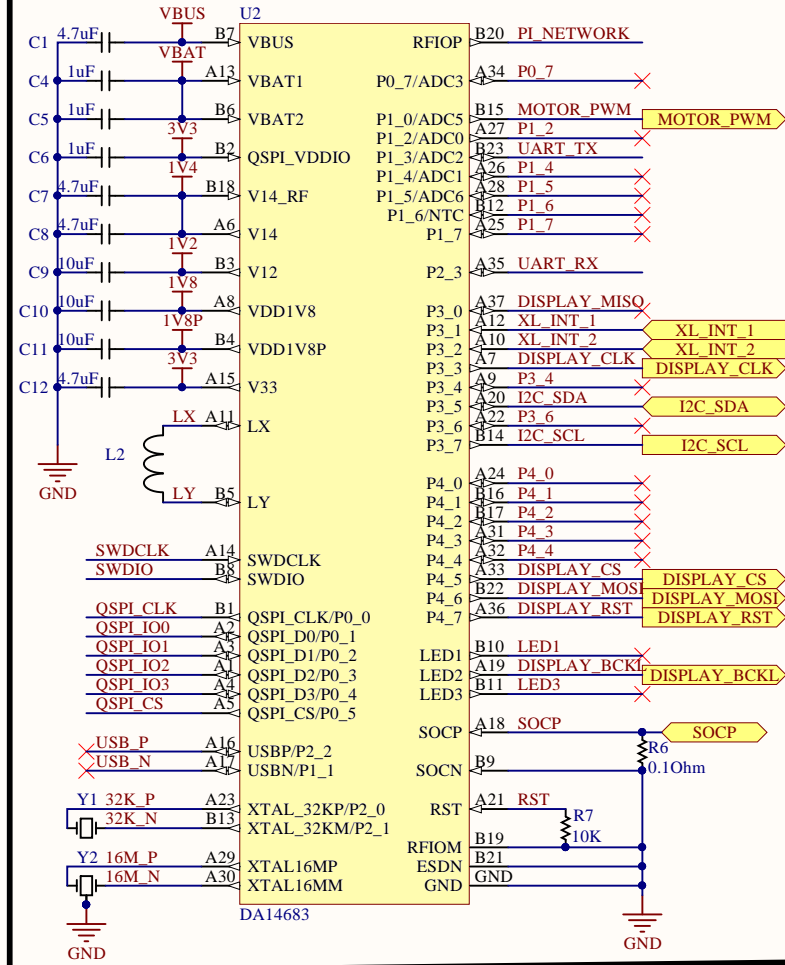
POWER



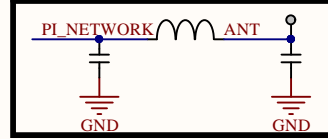
Title		
ECE 5973 Smart Watch Project		
Reference Materials from Samson March		
Size	Number	Revision
A	2	1
Date:	8/1/2019	Sheet 2 of 5
File:	C:\Users\...\Power.SchDoc	Drawn By: Sarah Brown

BLE

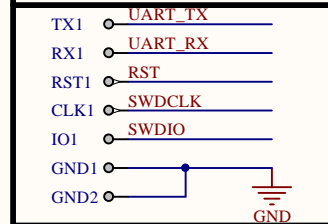
MICROCONTROLLER



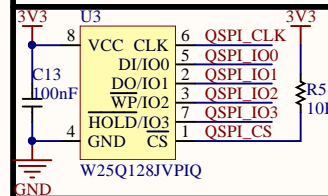
ANTENNA



HEADER PADS

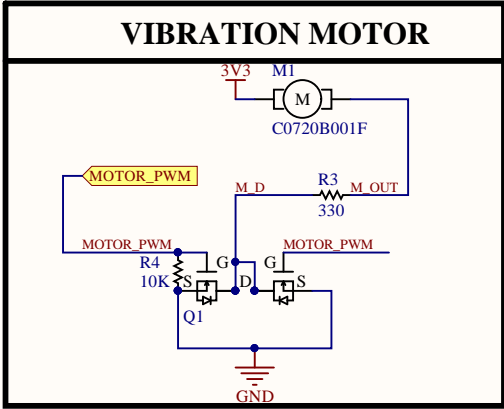
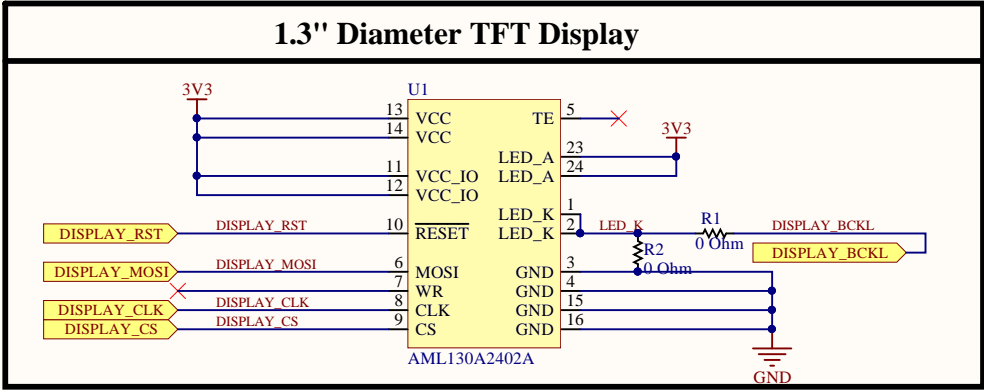


QSPI FLASH



Title			
ECE 5973 Smart Watch Project			
Reference Materials from Samson March			
Size	Number	Revision	
A	3	1	
Date:	8/1/2019	Sheet 3	of 5
File:	C:\Users\...\BLE.SchDoc	Drawn By: Sarah Brown	

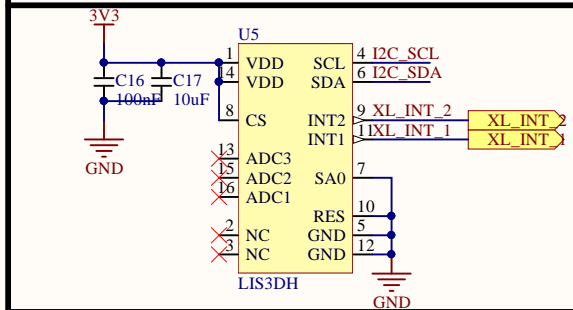
ACTUATORS



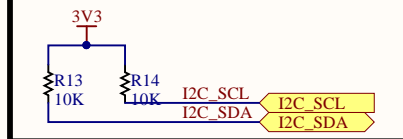
Title ECE 5973 Smart Watch Project Reference Materials from Samson March			
Size A	Number 4	Revision 1	
Date:	8/1/2019	Sheet 4	of 5
File:	C:\Users\...\Actuators.SchDoc	Drawn By:	Sarah Brown

SENSORS

ACCELEROMETER



I2C Pullups



Title			
ECE 5973 Smart Watch Project			
Reference Materials from Samson March			
Size	Number		Revision
A	5		1
Date:	8/1/2019	Sheet 5	of 5
File:	C:\Users\...\Sensors.SchDoc	Drawn By: Sarah Brown	

